



Rotron Ametek Regenerative Blower

Model: DR404AL58MA

AMETEK Technical & Industrial Products' ROTRON brand has long been a world leader in regenerative blower technologies, bringing regenerative advantages to a new level, providing quiet, maintenance-free, oil-free operation. Our industrial DR (Domestic Regenerative) blowers include: rugged cast aluminum housing, cover, impeller, and muffler tower, removable cast iron flanges bolted to a sheet of metal manifold, TEFC motors on single-ended models, ODP motors on all double ended models, carbon steel shaft and zinc plated hardware, and permanently sealed motor bearings for 20,000-25,000 hours of life. Our CP (Chemical Processing Regenerative) blowers include: Chem-Tough(TM) surface conversion corrosion resistant treatment for aluminum casting, Teflon® lip seal in a stainless steel case standard for leakage containment to 25 cc/min or less, Chemical Duty motors with a 303 stainless steel motor shafts, stainless steel hardware throughout, and nickel plated flanges and muffler retainers.

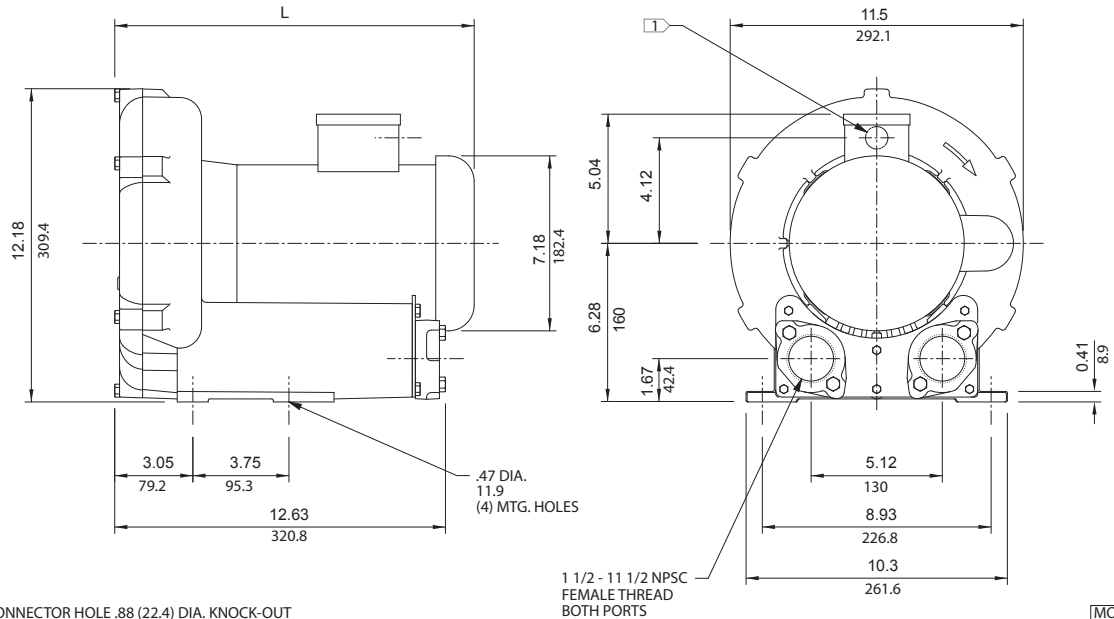
Contact us for a price on this refurbished Regenerative Blower!

363 W. SOUTH AIRPORT ROAD - TRAVERSE CITY, MI 49686 - BUS: (231) 264-3000 - FAX: (231) 264-3001
10312 North Holly Road - HOLLY, MI 48442 - BUS: (810) 238-9190 - FAX: (810) 238-9195

www.global-treatmentsolutions.com

DR 404 & CP 404

1.0 HP Regenerative Blower



Specification	Units	Part/ Model Number			
		DR404AL58M 037407	DR404AL72M 037406	DR404AL86M 037408	CP404CU72MLR 038233
Motor Enclosure - Shaft Mtl.	-	TEFC - CS	TEFC - CS	TEFC - CS	Chem TEFC - SS
Horsepower	-	1.0	1.0	1.0	1.0
Voltage	AC	115/230	230/460	575	230/460
Phase - Frequency	-	Single - 60 Hz	Three - 60 Hz	Three - 60 Hz	Three - 60 Hz
Insulation Class	-	F	F	F	F
NEMA Rated Motor Amps	Amps (A)	11.4/5.7	3.0/1.5	1.2	3.0/1.5
Service Factor	-	1.15	1.15	1.15	1.15
Max. Blower Amps	Amps (A)	14.5/7.25	4.0/2.0	1.4	4.0/2.0
Locked Rotor Amps	Amps (A)	70/35	21.0/10.5	7.6	21.0/10.5
NEMA Starter Size	-	00/00	00/00	00	00/00
Shipping Weight	Lbs	69	64	64	64
	Kg	31.3	29	29	29

Voltage - ROTRON motors are designed to handle a broad range of world voltages and power supply variations. Our dual voltage 3 phase motors are factory tested and certified to operate on both: **208-230/415-460 VAC-3 ph-60 Hz** and **190-208/380-415 VAC-3 ph-50 Hz**. Our dual voltage 1 phase motors are factory tested and certified to operate on both: **104-115/208-230 VAC-1 ph-60 Hz** and **100-110/200-220 VAC-1 ph-50 Hz**. All voltages above can handle a ±10% voltage fluctuation. Special wound motors can be ordered for voltages outside our certified range.

Operating Temperatures - Maximum operating temperature: Motor winding temperature (winding rise plus ambient) should not exceed 140°C for Class F rated motors or 120°C for Class B rated motors. Blower outlet air temperature should not exceed 140°C (air temperature rise plus inlet temperature). Performance curve maximum pressure and suction points are based on a 40°C inlet and ambient temperature. Consult factory for inlet or ambient temperatures above 40°C.

Maximum Blower Amps - Corresponds to the performance point at which the motor or blower temperature rise with a 40°C inlet and/or ambient temperature reaches the maximum operating temperature.

This document is for informational purposes only and should not be considered as a binding description of the products or their performance in all applications. The performance data on this page depicts typical performance under controlled laboratory conditions. AMETEK is not responsible for blowers driven beyond factory specified speed, temperature, pressure, flow or without proper alignment. Actual performance will vary depending on the operating environment and application. AMETEK products are not designed for and should not be used in medical life support applications. AMETEK reserves the right to revise its products without notification. The above characteristics represent standard products. For product designed to meet specific applications, contact AMETEK Technical & Industrial Products Sales department.

1.0 HP Regenerative Blower

FEATURES

- Manufactured in the USA - ISO 9001 and NAFTA compliant
- CE compliant - Declaration of Conformity on file
- Maximum flow: 105 SCFM
- Maximum pressure: 58 IWG
- Maximum vacuum: 50 IWG
- Standard motor: 1.0 HP, TEFC
- Cast aluminum blower housing, impeller & cover; cast iron flanges (threaded)
- UL & CSA approved motor with permanently sealed ball bearings
- Inlet & outlet internal muffling
- Quiet operation within OSHA standards

MOTOR OPTIONS

- International voltage & frequency (Hz)
- Chemical duty, high efficiency, inverter duty or industry-specific designs
- Various horsepower for application-specific needs

BLOWER OPTIONS

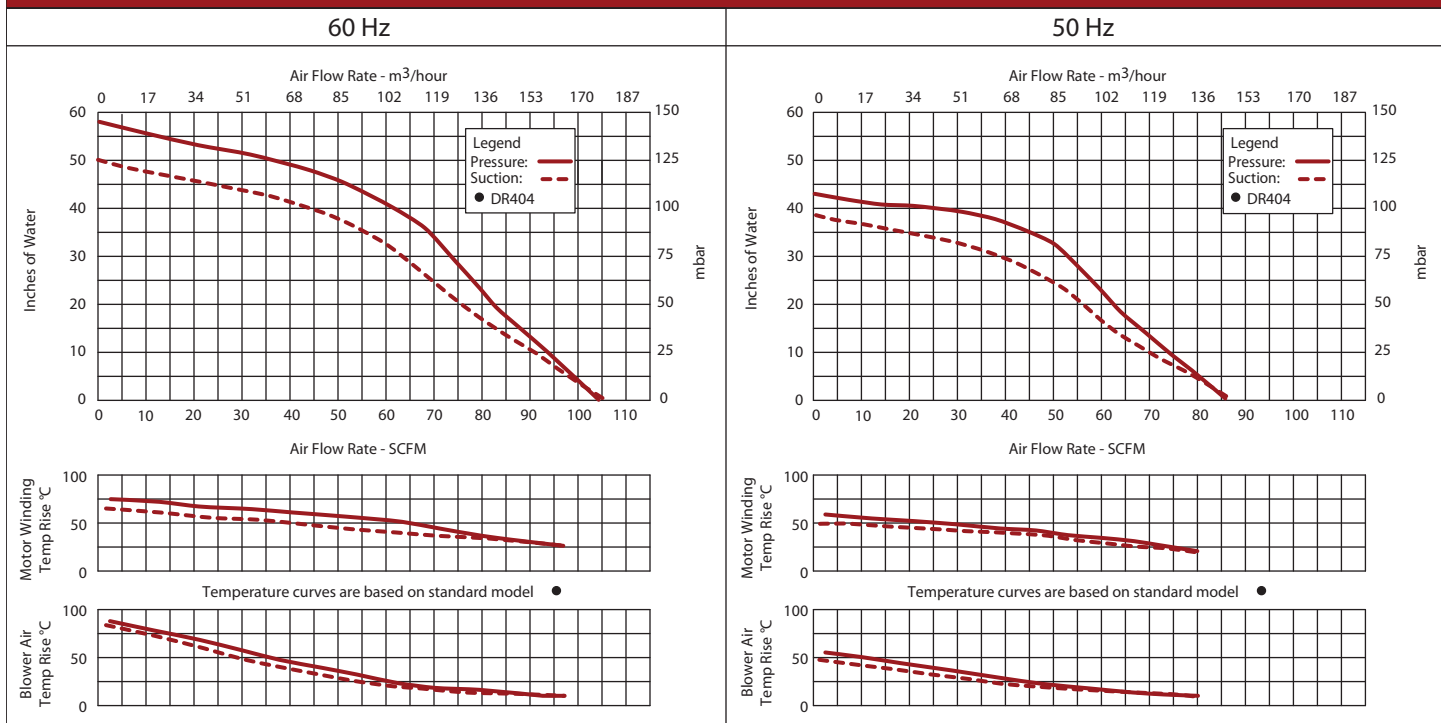
- Corrosion resistant surface treatments & sealing options
- Remote drive (motorless) models
- Slip-on or face flanges for application-specific needs

ACCESSORIES

- Flowmeters reading in SCFM
- Filters & moisture separators
- Pressure gauges, vacuum gauges, & relief valves
- Switches - air flow, pressure, vacuum, or temperature
- External mufflers for additional silencing
- Air knives (used on blow-off applications)
- Variable frequency drive package



Blower Performance at Standard Conditions



This document is for informational purposes only and should not be considered as a binding description of the products or their performance in all applications. The performance data on this page depicts typical performance under controlled laboratory conditions. AMETEK is not responsible for blowers driven beyond factory specified speed, temperature, pressure, flow or without proper alignment. Actual performance will vary depending on the operating environment and application. AMETEK products are not designed for and should not be used in medical life support applications. AMETEK reserves the right to revise its products without notification. The above characteristics represent standard products. For product designed to meet specific applications, contact AMETEK Technical & Industrial Products Sales department.