



Gast R7 series Regenerative Blower

Air flow capabilities range from 27 to 1350 cfm (46 to 2294 m³/h), vacuum capabilities up to 184 in. H₂O (13.5 in. Hg/458 mbar), and pressure capabilities up to 284 in. H₂O (10.25 psig/707 mbar). TEFC electric motors are UL and CSA certified on several models (see chart) and come in single and three-phase, dual frequency, and multi-voltage versions for worldwide applications; 12 volt DC is available on the smallest model. Horsepowers range from 1/8 to 30 HP (0.09 to 22.4 kW).

Special models with explosion-proof motors, 1/3 to 10 HP, are designed for soil vapor extraction applications.

Applications

- Solution and Media Agitation
- Vacuum Hold-Down and Pickup
- Soil and Ground Water Remediation
- Sewage Aeration
- Materials Handling

See attached documentation for pump curves and equipment specifications.

Contact us for a price on this refurbished Environmental blower.

**363 W. SOUTH AIRPORT ROAD - TRAVERSE CITY, MI 49686 - BUS: (231) 264-3000 - FAX: (231) 264-3001
10312 North Holly Road - HOLLY, MI 48442 - BUS: (810) 238-9190 - FAX: (810) 238-9195**

www.global-treatmentsolutions.com



Models R7100A-3, R7100B-1

Max. pressure – 125 inH₂O (60 Hz), 115 inH₂O (50 Hz)

Max. vacuum – 110 inH₂O (60 Hz), 90 inH₂O (50 Hz)

Max. air flow – 420 CFM (60 Hz), 350 CFM (50 Hz)

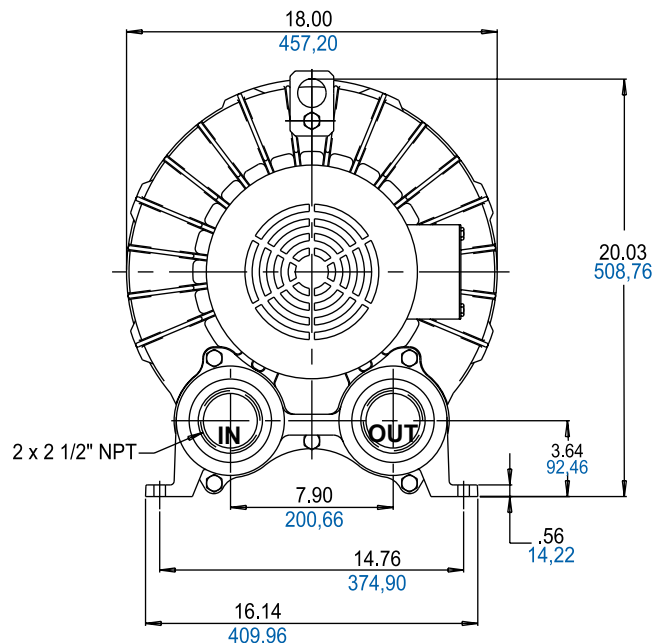
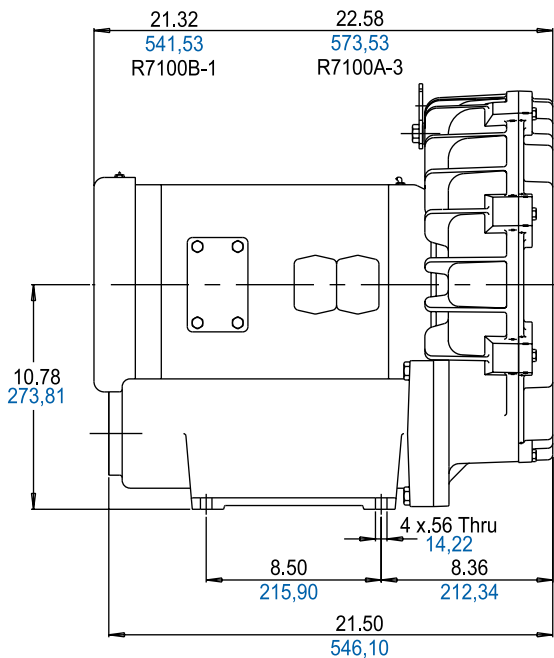
PRODUCT FEATURES

- Rugged construction, low maintenance
- Oilless operation
- UL and CSA approved TEFC motors with permanently sealed ball bearings
- IP54 rated enclosure on motors
- Aluminum impeller; cast iron cover and housing
- Can be mounted in any plane
- Inlet and outlet have internal muffling

RECOMMENDED ACCESSORIES

- Pressure gauge AE133A
- Inlet filter AJ126G (pressure)
- Vacuum gauge AE134
- Vacuum gauge for monitoring inlet filter restriction AJ497
- Pressure/vacuum relief valve AG258
- Silencer for vacuum relief valve AJ121D
- Inline filter AJ151H (vacuum)
- External muffler for additional silencing AJ121G
- Liquid separator RMS400 (vacuum)
- Foam replacement kit K827

Product Dimensions (inches, mm)



Product Specifications

MODEL NUMBER		R7100A-3	R7100B-1
Motor Enclosure		TEFC	TEFC
HP/kW	60 Hz	10/7,5	10/7,5
	50 Hz	8/6	-
Voltage	60 Hz	208-230/460-3	575-3
	50 Hz	190-220/380-440-3	-
Amps	60 Hz	35-29.5/15	9.6
	50 Hz	27-23/13.5-12.3	-
Starting Amps	60 Hz	120 @ 460V	84 @ 575V
	50 Hz	143 @ 380V	-
Insulation Class		F	F
Recommended NEMA Starter Size		2/1	1
Net Weight (lbs/kg)		293/133	290/131

Product Performance

